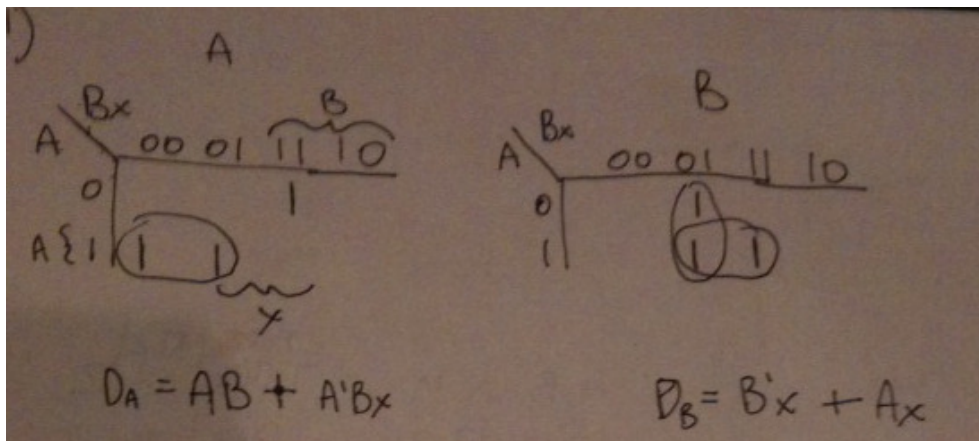


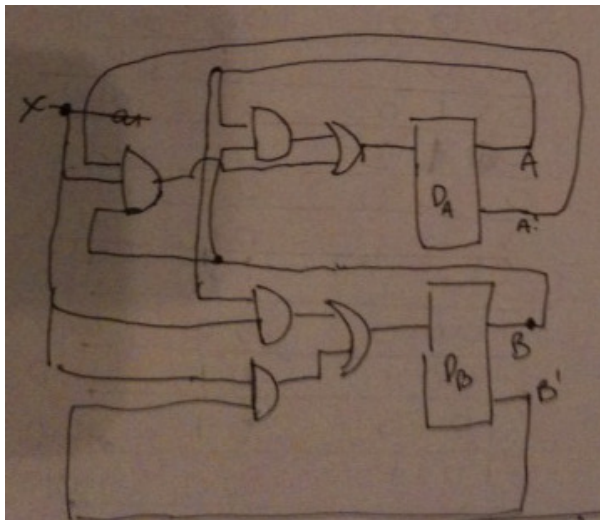
1.)
State table

responding circuit using			next
A	B	X	AB
0	0	0	00
0	0	1	01
0	1	0	00
0	1	1	10
1	0	0	10
1	0	1	11
1	1	0	00
1	1	1	01

Karnaugh maps



Circuit

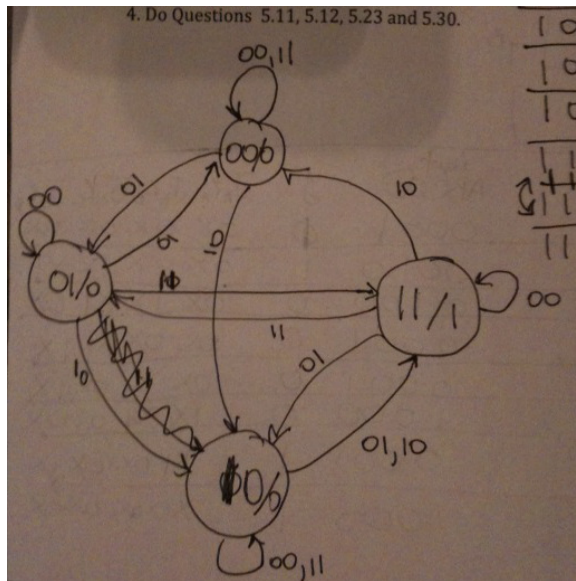


2.)

ABCD	X	Next ABCD	y	J _a K _a	J _b K _b	J _c K _c	J _d K _d
0001	0	0001	0	0X	0X	0X	0X
0001	1	0010	1	0X	0X	1X	1X
0010	0	0100	0	0X	1X	1X	0X
0010	1	0001	0	0X	0X	1X	1X
0100	0	0001	0	0X	1X	0X	1X
0100	1	1000	0	1X	1X	0X	0X
1000	0	0001	1	1X	0X	0X	1X
1000	1	1000	1	X0	0X	0X	0X

3.)

AB	x	y	Next AB	Next AB	Z
00	00		00	00	0
00	01		01	01	0
00	10		01	10	0
00	11		00	00	0
01	00		00	01	0
01	01		01	00	0
01	10		10	00	0
01	11		11	00	0
10	00		00	10	0
10	01		01	11	0
10	10		01	11	0
10	11		00	10	0
11	00		00	11	1
11	01		01	00	1
11	10		01	10	1
11	11		10	01	1



See back of the text for solutions to the * text problems.